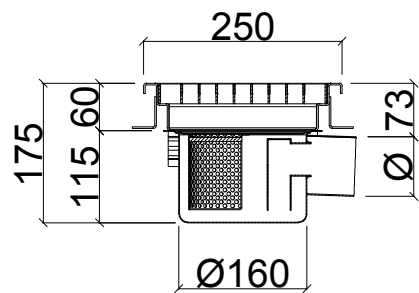
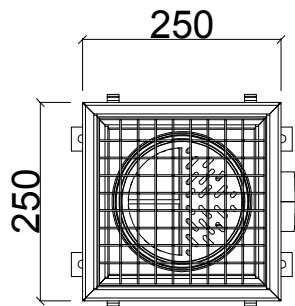
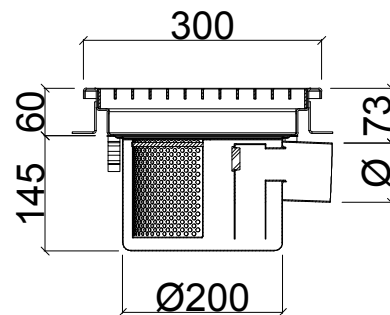
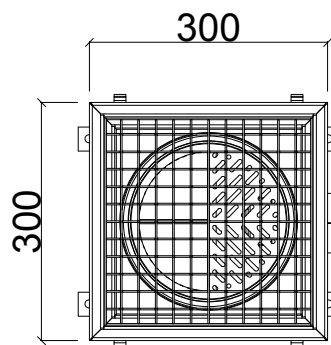


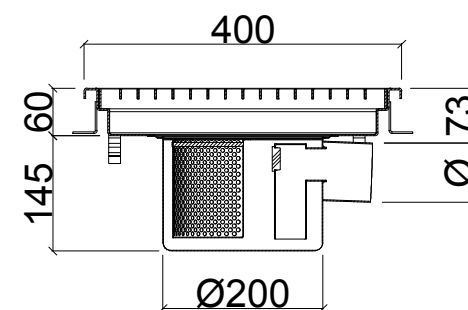
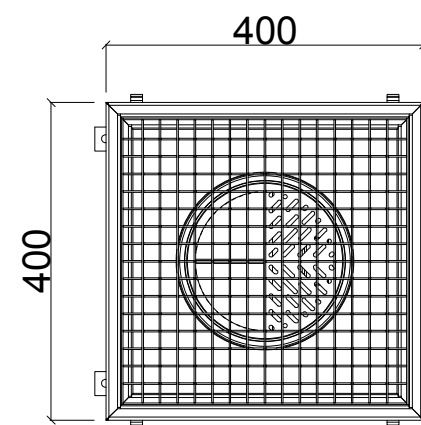
DEEP TYPE			
MODEL	W x L	Ø	
		DN50	DN70
TYG-D-22	250 x 250	Ø50	Ø75
Max. Flow Rate	lt / min	50	50
Waterseal Heigh		50mm	



DEEP TYPE				
MODEL	W x L	Ø		
		DN50	DN70	DN100
TYG-D-33	300 x 300	Ø50	Ø75	Ø110
Max. Flow Rate	lt / min	50	50	70
Waterseal Heigh		60mm		



DEEP TYPE				
MODEL	W x L	Ø		
		DN50	DN70	DN100
TYG-D-44	400 x 400	Ø50	Ø75	Ø110
Max. Flow Rate	lt / min	50	50	70
Waterseal Heigh		60mm		



#### APPLICATION DRAWING

